

**IN-HOUSE SHOP REFERENCE ONLY**

FILE LOCATION:  
C:\EPDM\Projects\Components\Bars\Road\AR bar\CAD\

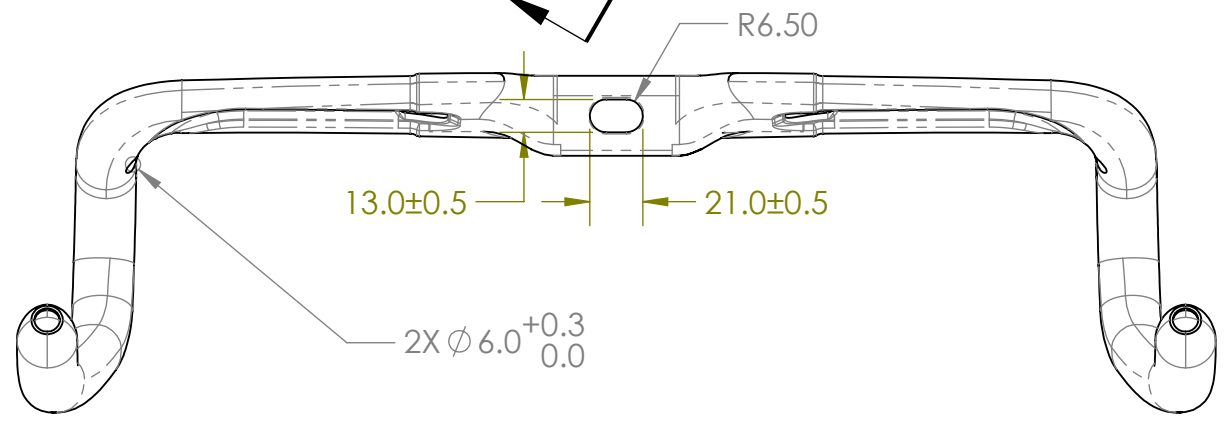
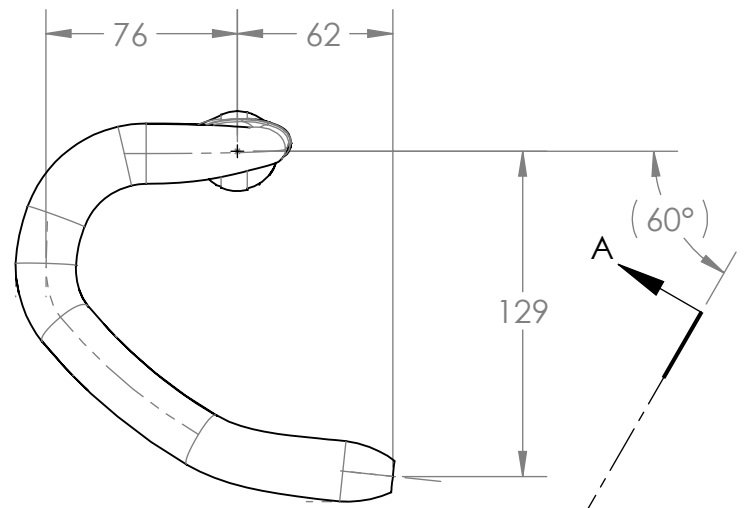
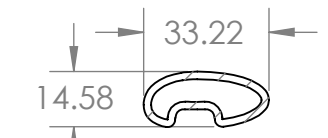
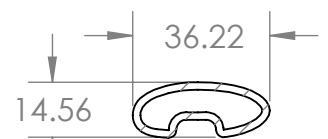
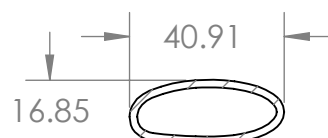
3D GEOM: 300-1028-002

QUANTITY:

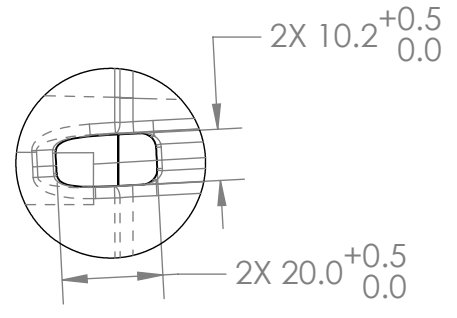
CONFIGURATION: #Default

DATE: Friday, March 31, 2023 11:00:12 AM

Bar Size	Dim A	Dim B
300-1028-001 - 38.5cm	385	432
300-1028-002 - 40.5cm	405	452
300-1028-003 - 42.5cm	425	472
300-1028-004 - 44.5cm	445	492
300-1028-005 - 46.5cm	465	512

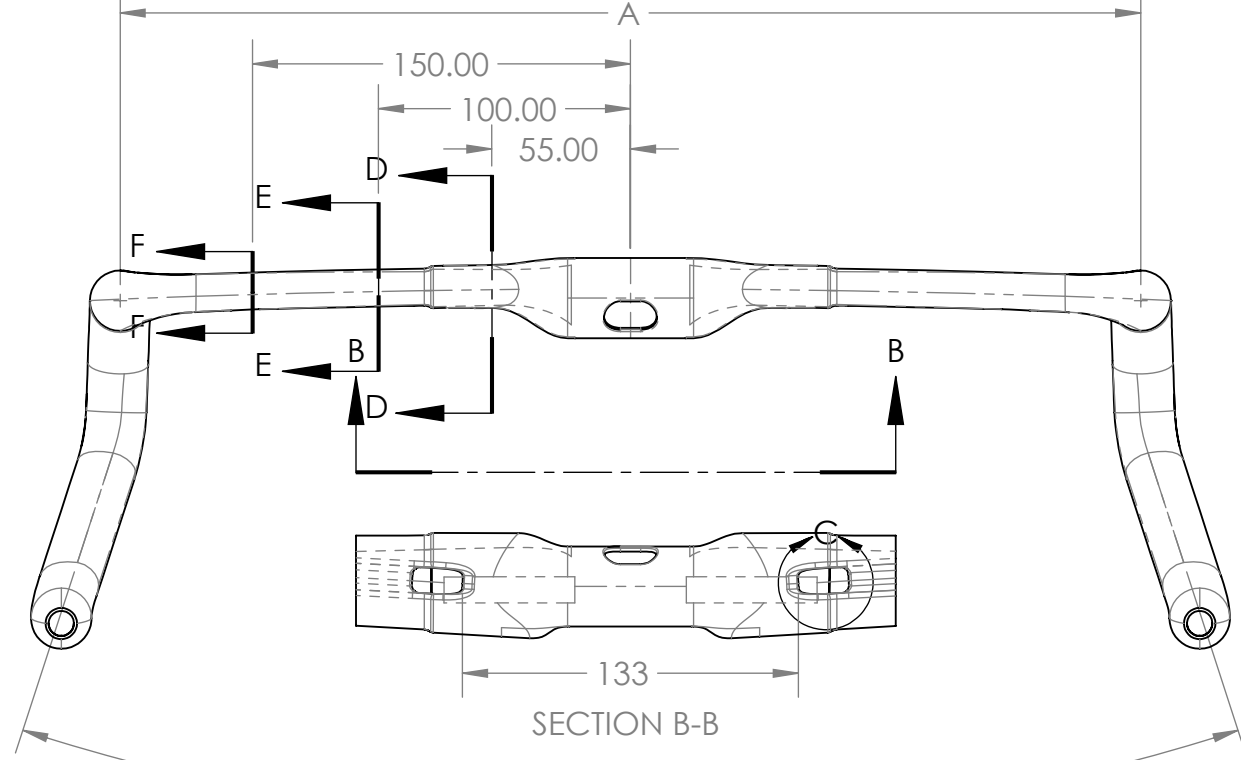
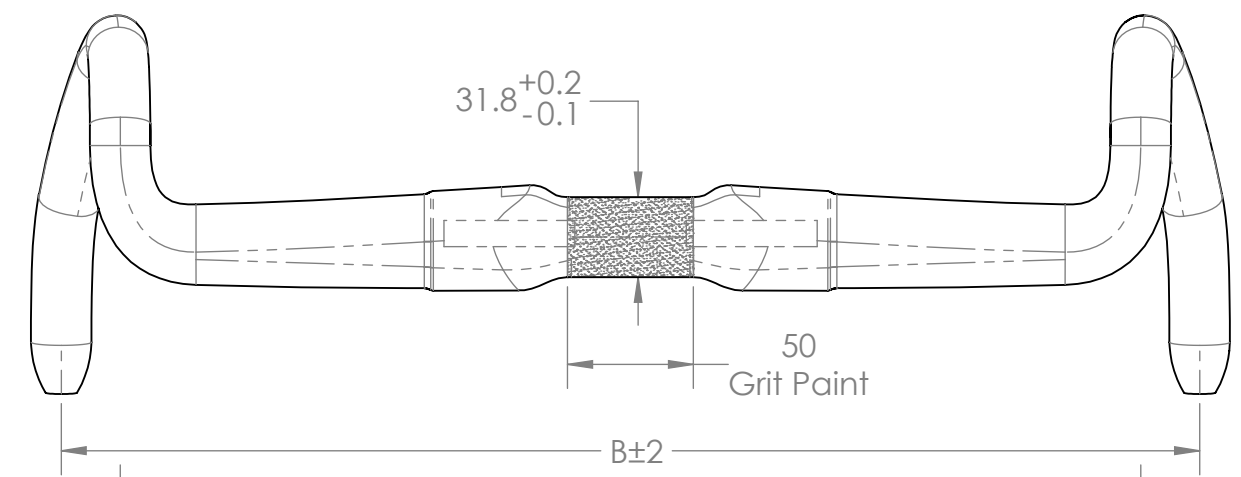


SECTION A-A




DETAIL C  
SCALE 2 : 3

REVISIONS			
REV.	DESCRIPTION	DATE	APPROVED
A	Changed center radius from 5 to 6.5mm	4/27/2022	



SECTION B-B

NOTES:  
1. SEE 3D MODEL FOR ALL DIMENSIONS NOT SHOWN

<b>PROPRIETARY AND CONFIDENTIAL</b>  THE INFORMATION CONTAINED IN THIS DRAWING IS THE SOLE PROPERTY OF ENVE COMPOSITES INC. ANY REPRODUCTION IN PART OR AS A WHOLE WITHOUT THE WRITTEN PERMISSION OF ENVE COMPOSITES INC. IS PROHIBITED.	DRAWN	NAME	DATE	  DESCRIPTION:  <b>AR Bar - All Sizes</b>
	CHECKED		08/27/2019	
	ENG APPR.			
	MFG APPR.			
INTERPRET GEOMETRIC TOLERANCING PER: ASME Y14.5-2009 MATERIAL Carbon FINISH Painted	UNLESS OTHERWISE SPECIFIED:  DIMENSIONS ARE IN MILLIMETRES TOLERANCES: ANGULAR: ±1° UNSPECIFIED XX ±0.5 ONE PLACE DECIMAL XX.X ±0.2 TWO PLACE DECIMAL XX.XX ±0.10			SIZE <b>B</b>
DO NOT SCALE DRAWING	DWG. NO. 300-1028-001		REV	SCALE: 1:3 WEIGHT: SHEET 2 OF 3