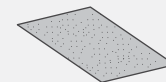
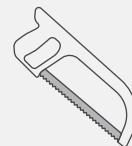
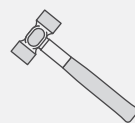
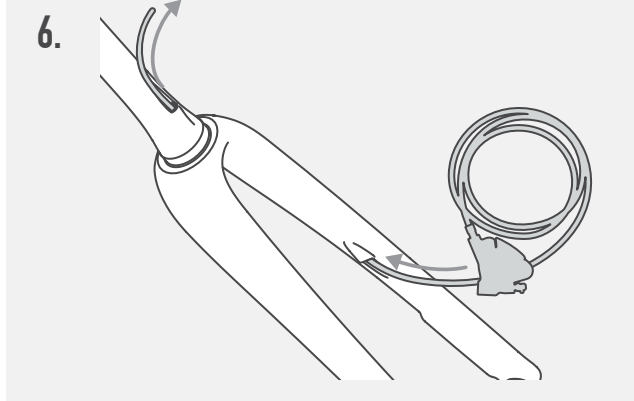
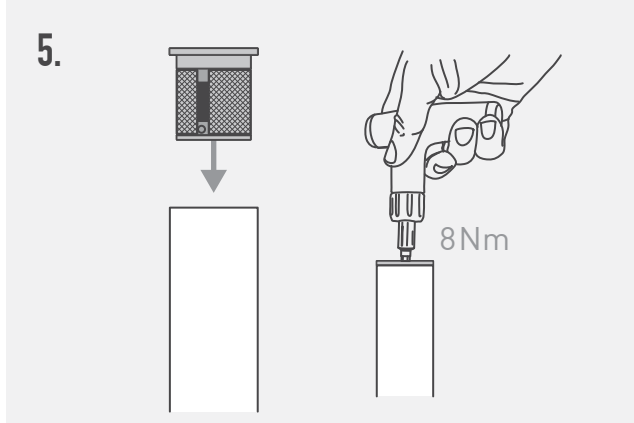
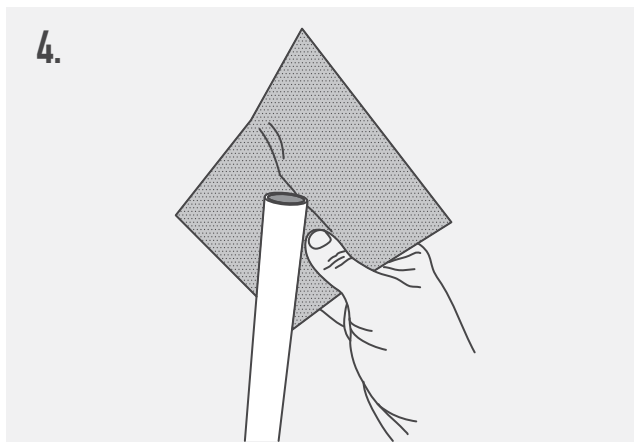
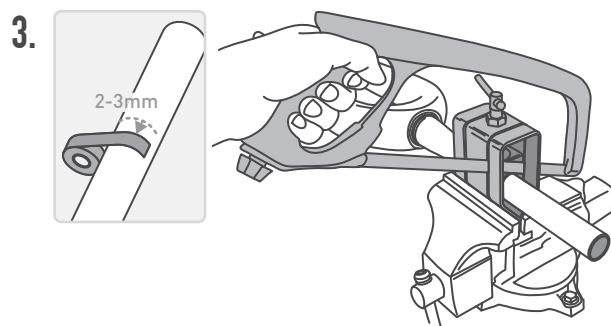
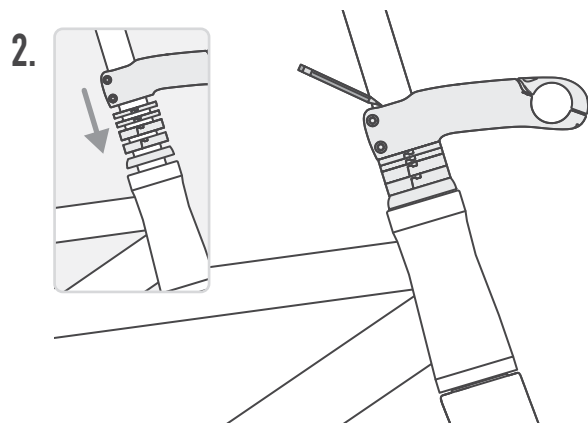
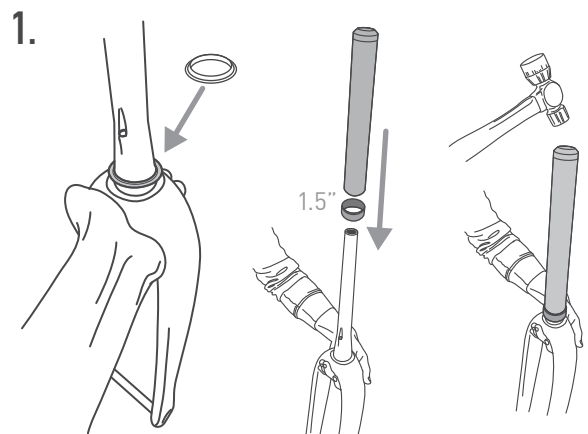


# IN-Route Road Disc Fork Installation Instructions

**Tools Needed:**  
4, 5, 6mm Adjustable Torque Wrench,

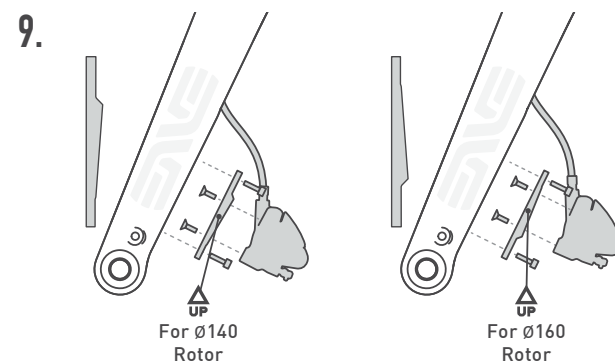
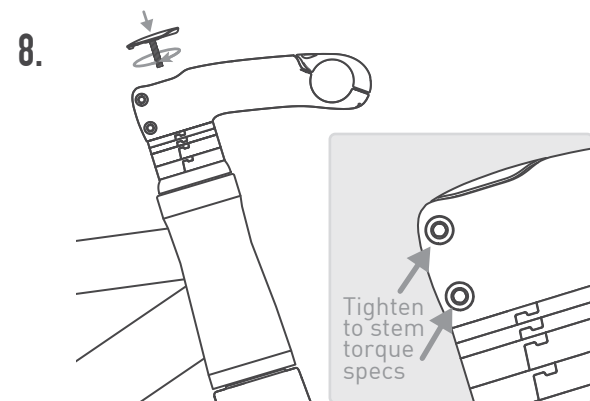


100 grit



7.

Refer to "ENVE IN-Route Components Routing Guide" for a step-by-step guide for routing brake and derailleur lines through the integrated stem and handlebar.





**ENVE IN-Route Road Disc  
Fork Installation Instructions**

ENVE Composites, LLC  
Ogden, UT 84401, USA