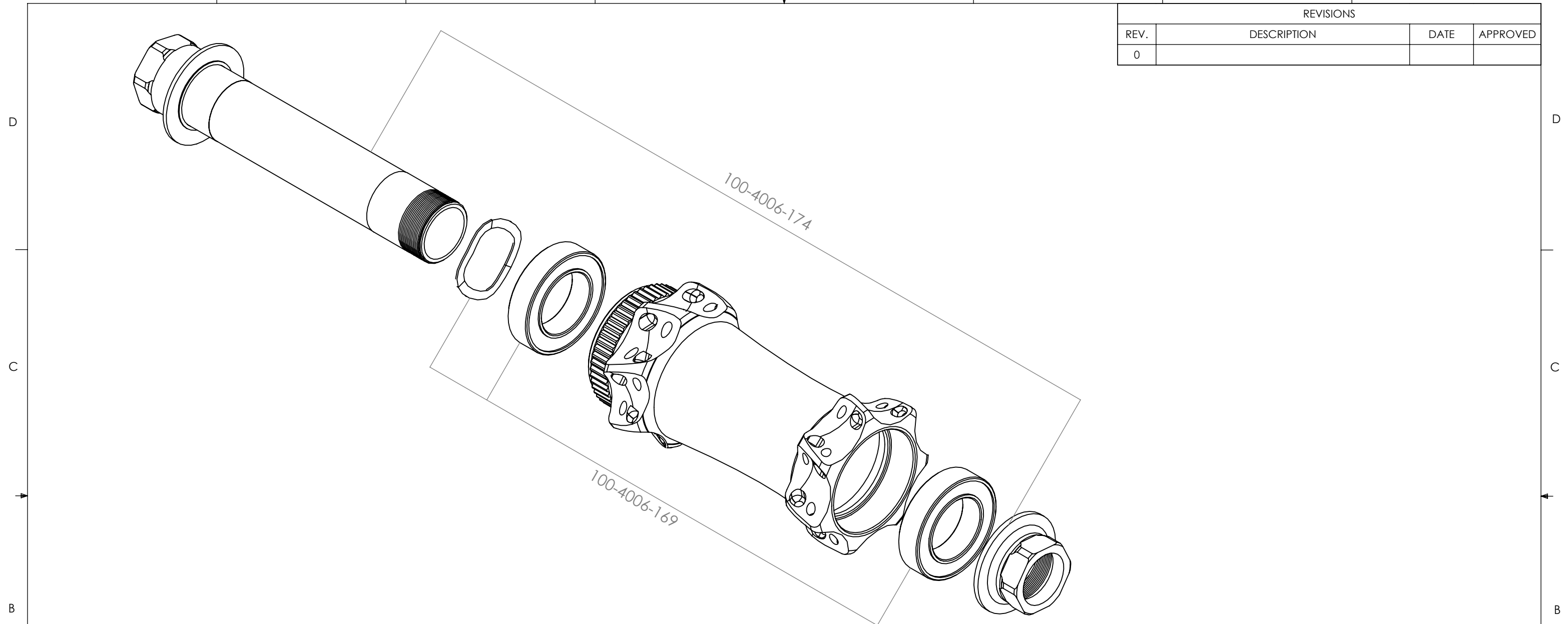



REVISIONS			
REV.	DESCRIPTION	DATE	APPROVED
0			



<b>PROPRIETARY AND CONFIDENTIAL</b>  THE INFORMATION CONTAINED IN THIS DRAWING IS THE SOLE PROPERTY OF ENVE COMPOSITES INC. ANY REPRODUCTION IN PART OR AS A WHOLE WITHOUT THE WRITTEN PERMISSION OF ENVE COMPOSITES INC. IS PROHIBITED.	DRAWN	FJJ	12/05/2024	  <b>DESCRIPTION:</b> Front BOOST CL Hub Service Kit Diagram		
	CHECKED					
	ENG APPR.					
	MFG APPR.					
	Q.A.					
INTERPRET GEOMETRIC TOLERANCING PER: ASME Y14.5-2009 MATERIAL FINISH DO NOT SCALE DRAWING	UNLESS OTHERWISE SPECIFIED:  DIMENSIONS ARE IN MILLIMETRES TOLERANCES: ANGULAR: ±1° UNSPECIFIED XX ±0.5 ONE PLACE DECIMAL XX.X ±0.2 TWO PLACE DECIMAL XX.XX ±0.10			SIZE <b>B</b>	DWG. NO. 100-4006-191	REV
SCALE: 1:1		WEIGHT:	SHEET 1 OF 3			