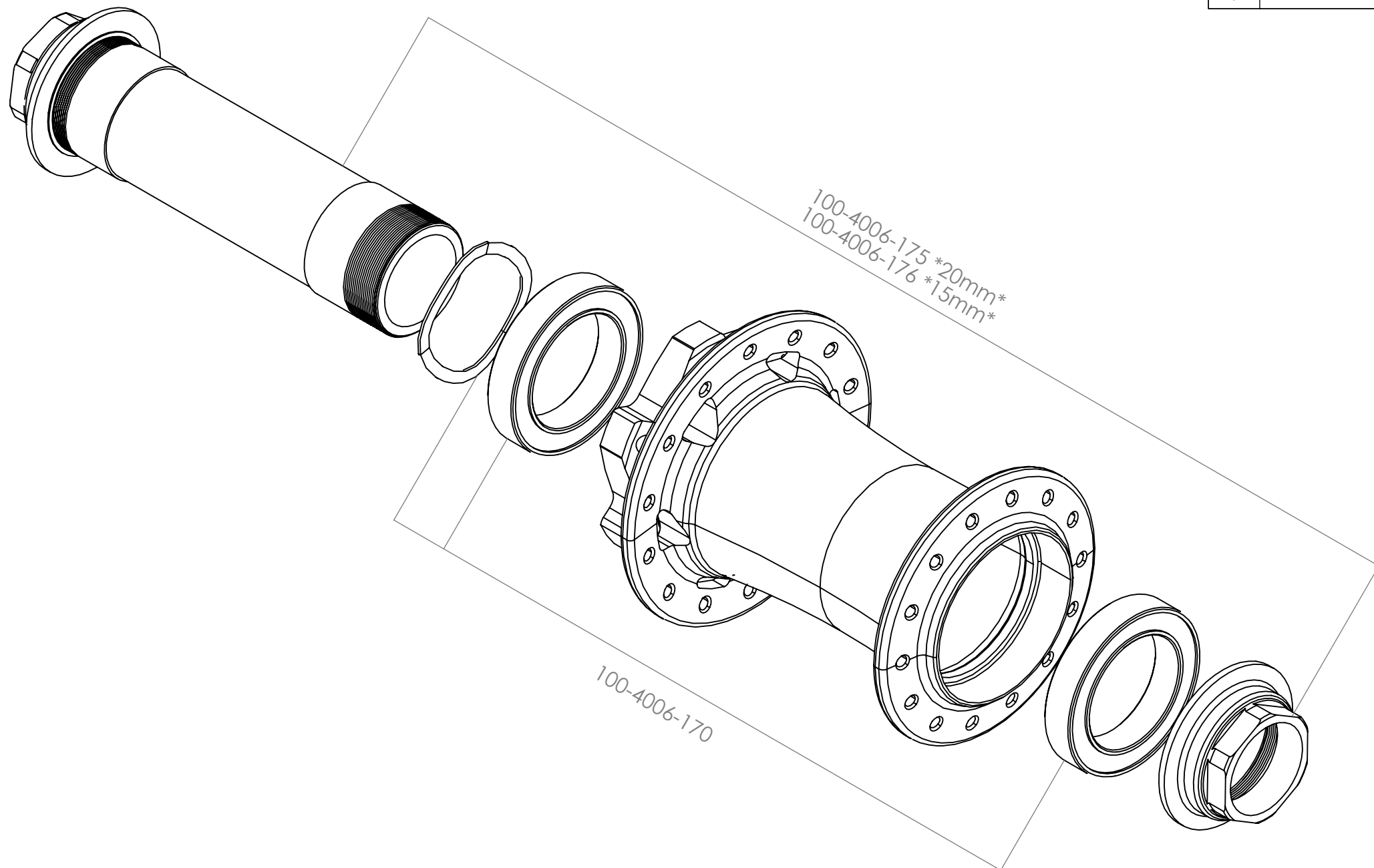



REVISIONS			
REV.	DESCRIPTION	DATE	APPROVED
0			



PROPRIETARY AND CONFIDENTIAL THE INFORMATION CONTAINED IN THIS DRAWING IS THE SOLE PROPERTY OF ENVE COMPOSITES INC. ANY REPRODUCTION IN PART OR AS A WHOLE WITHOUT THE WRITTEN PERMISSION OF ENVE COMPOSITES INC. IS PROHIBITED.	DRAWN	FJFJ	12/05/2024	 DESCRIPTION: Front 20mm 6B Hub Service Kit Diagram
	CHECKED			
	ENG APPR.			
	MFG APPR.			
	Q.A.			
INTERPRET GEOMETRIC TOLERANCING PER: ASME Y14.5-2009 MATERIAL FINISH DO NOT SCALE DRAWING	UNLESS OTHERWISE SPECIFIED: DIMENSIONS ARE IN MILLIMETRES TOLERANCES: ANGULAR: ±1° UNSPECIFIED XX ±0.5 ONE PLACE DECIMAL XX.X ±0.2 TWO PLACE DECIMAL XX.XX ±0.10			SIZE B DWG. NO. 100-4006-192 SCALE: 1:1
			REV WEIGHT: SHEET 1 OF 3	