

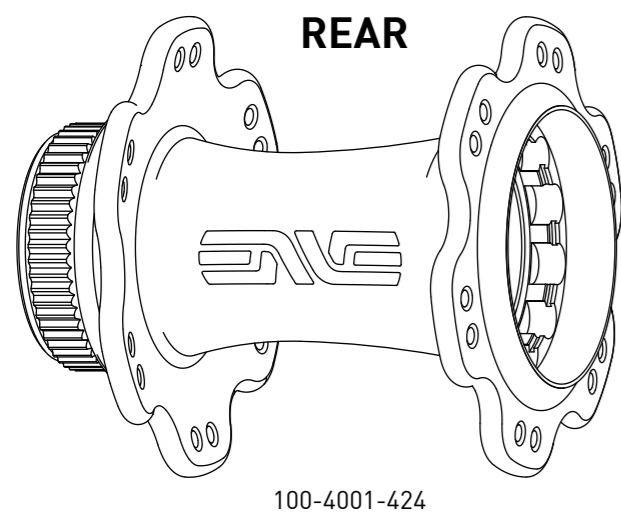


ENVE ALLOY DISC BRAKE HUB – FREEHUB AND AXLE CONVERSIONS

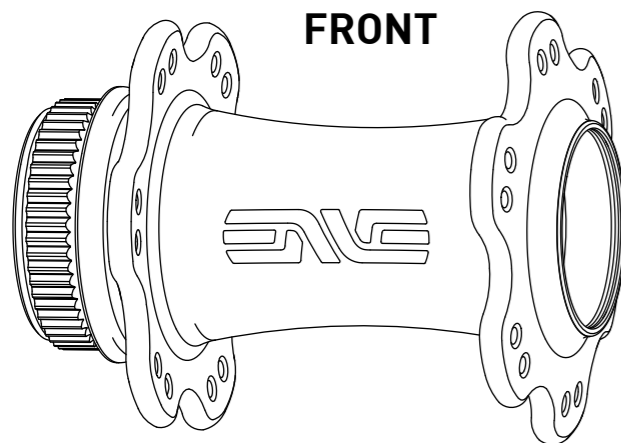
Want to convert your ENVE ALLOY DISC BRAKE HUB to a different drivetrain?

Follow the path to find the right parts for your conversion.

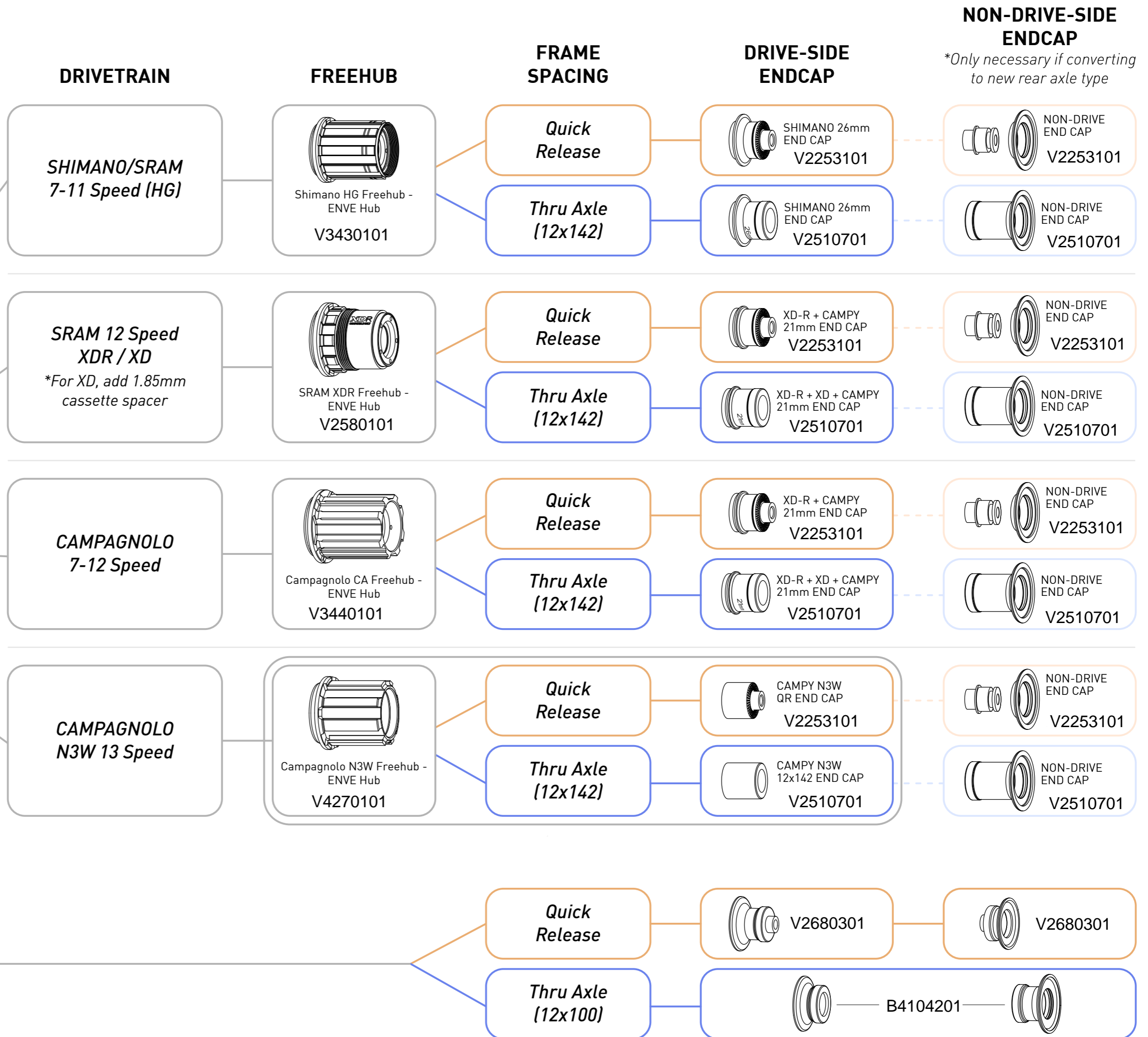
Converting to a new axle type or different frame spacing? Be sure to get a non-drive side end cap as well as the drive side end cap listed on this page.



100-4001-424



102-4001-426



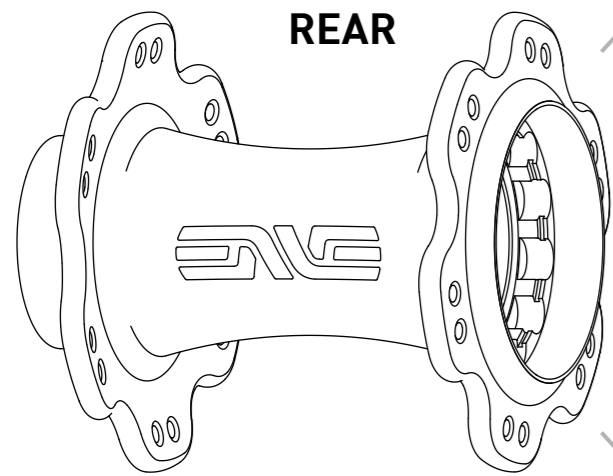
NON-DRIVE-SIDE ENDCAP
**Only necessary if converting to new rear axle type*



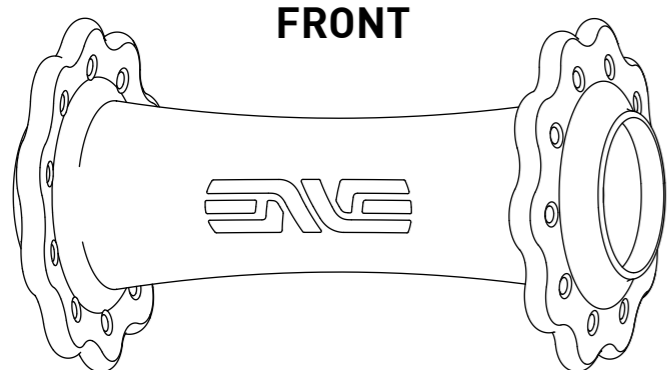
ENVE ALLOY RIM BRAKE HUB – FREEHUB CONVERSIONS

Want to convert your ENVE ALLOY RIM BRAKE HUB to a different drivetrain?

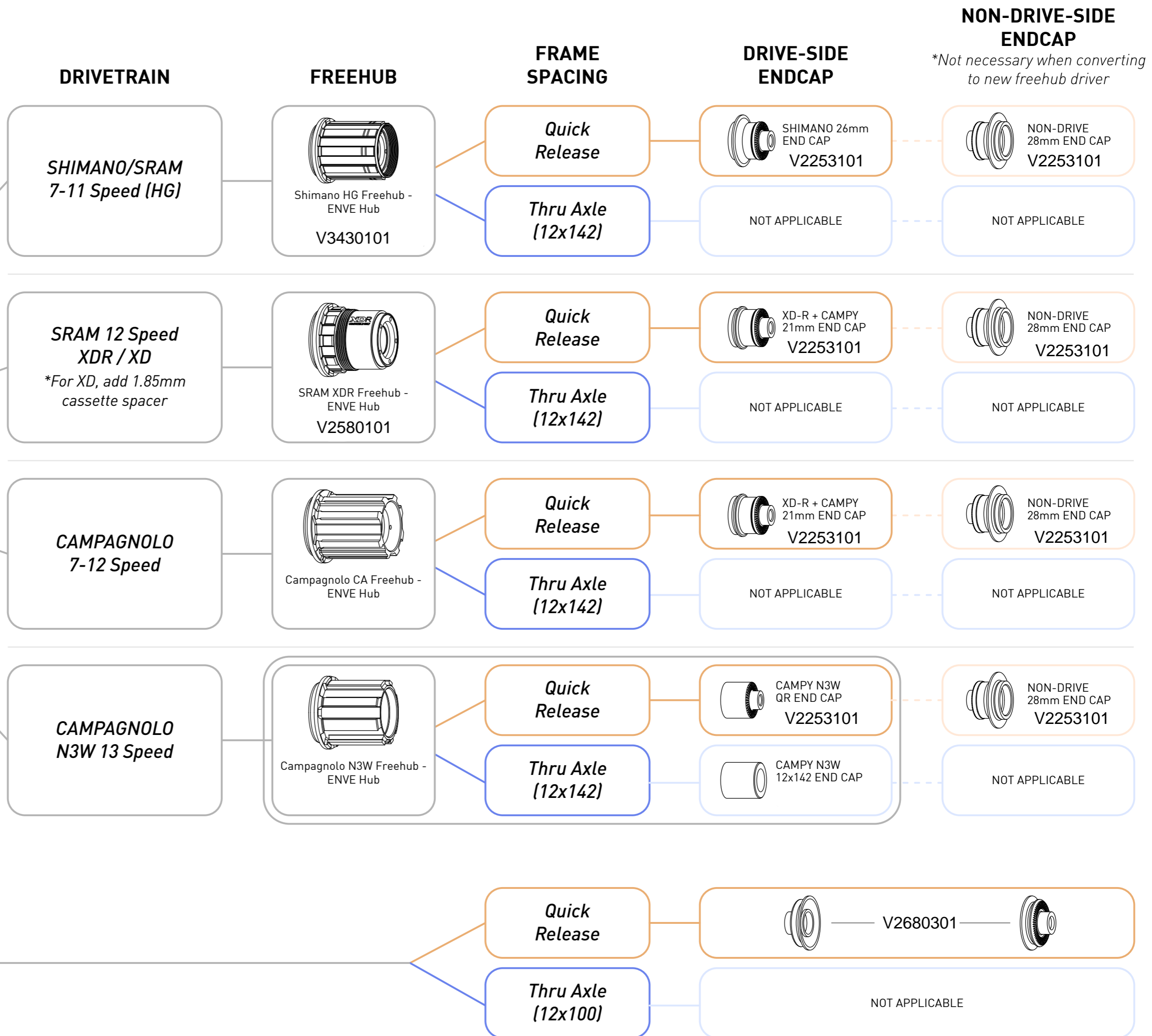
Follow the path to find the right parts for your conversion.



100-4001-423



100-4001-425



*Not necessary when converting to new freehub driver

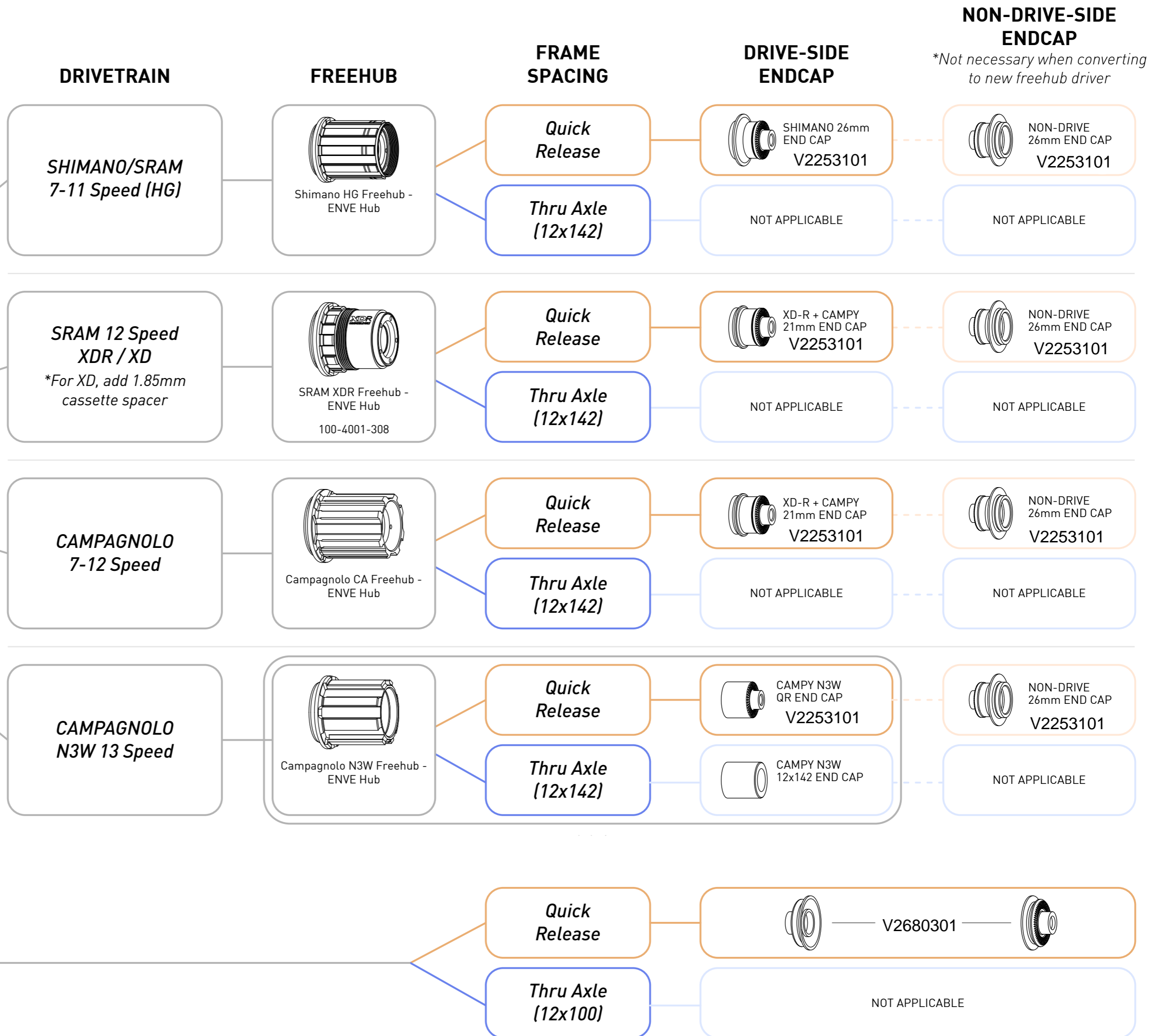
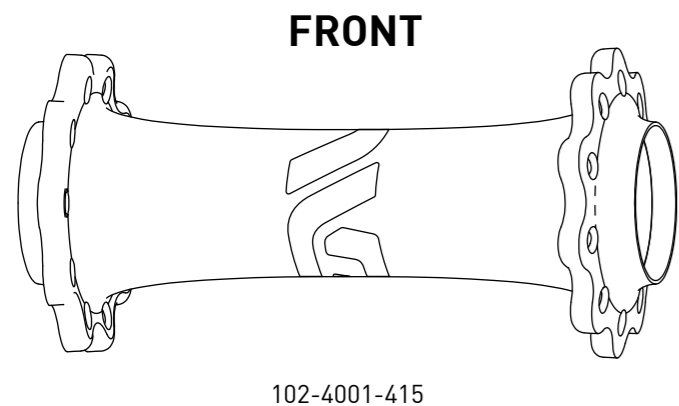
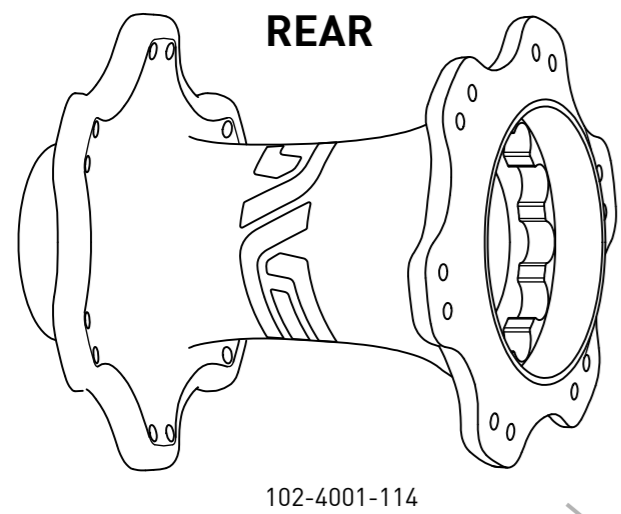


ENVE CARBON RIM BRAKE HUB – FREEHUB CONVERSIONS

Want to convert your ENVE CARBON RIM BRAKE HUB to a different drivetrain?

Follow the path to find the right parts for your conversion.

*For Gen 1 carbon hubs, please reach out to DT Swiss for end-caps and conversion kits.



*Not necessary when converting to new freehub driver