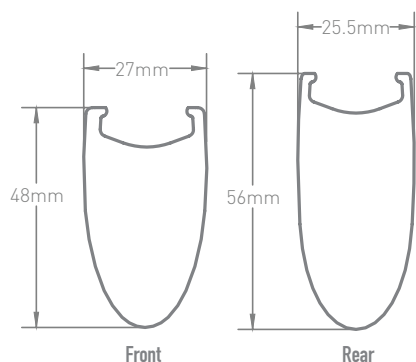


SES 4.5 CLINCHER



An evolution of our patented SES rim shape makes the SES 4.5 a dream wheelset for the performance driven road cyclist and triathlete. The SES 4.5 features uncompromised aerodynamics, stability, lateral stiffness, braking, and cornering prowess. The SES 4.5 is extremely stable, making it the optimal choice for cyclists seeking confidence inspiring aero performance on the windiest of days.

The SES 4.5 maintains all of the same foundational technologies of the Smart ENVE System wheel line which include in-frame aero development, asymmetrical rim geometries, and molded texture braking surfaces.



	Front	Rear	Set
Weight:	469g	489g	958g
DT240:	683g	843g	1526g
DT180:	677g	802g	1479g
King:	678g	833g	1511g
Hole Count:	20	24	
Rim Diameter:	700c	700c	
ERD:	563mm	545mm	

Key Features:

- UCI Approved
- Light-weight
- Evolutionary rim shape that yields unprecedented stability and drag reduction in this depth category
- Molded in braking surface for optimal braking power, heat management, and modulation
- Best lateral stiffness of Smart ENVE System wheel models

For more information call toll free at 1.877.358.2869

or visit www.ENVE.com

