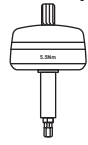


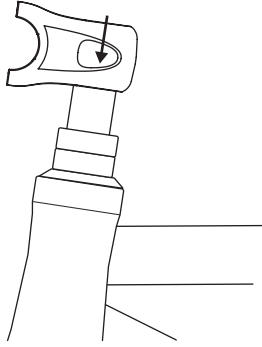
# Alloy Mountain Stem Installation Instructions



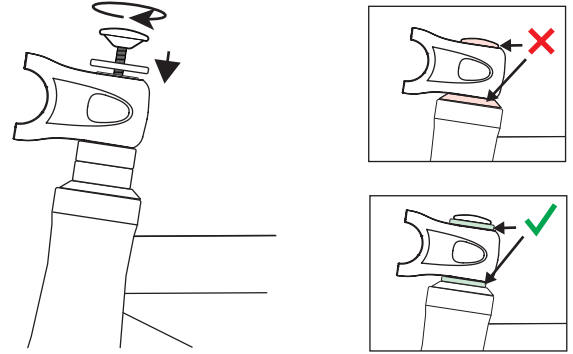
Tools Needed:

4mm Torque  
Wrench (5.5Nm)

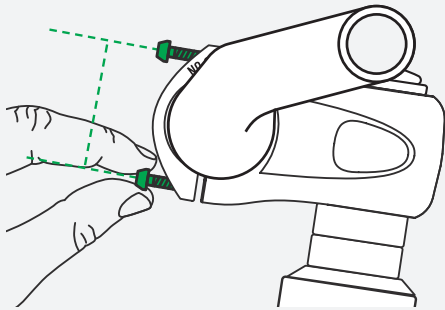
1.



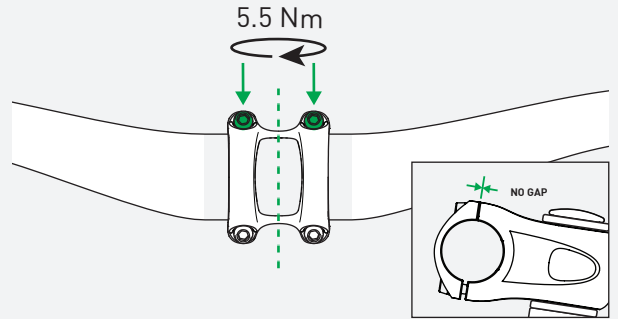
2.



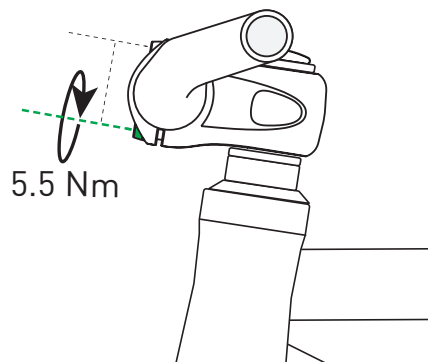
3.



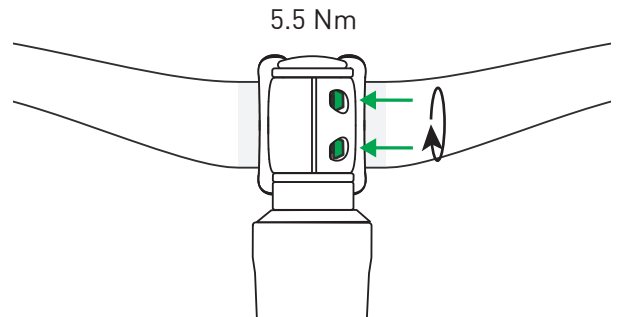
4.



5.



6.





**ENVE® Alloy Mountain Stem  
Installation Instructions**

ENVE® Composites, LLC  
Ogden, UT 84401, USA