


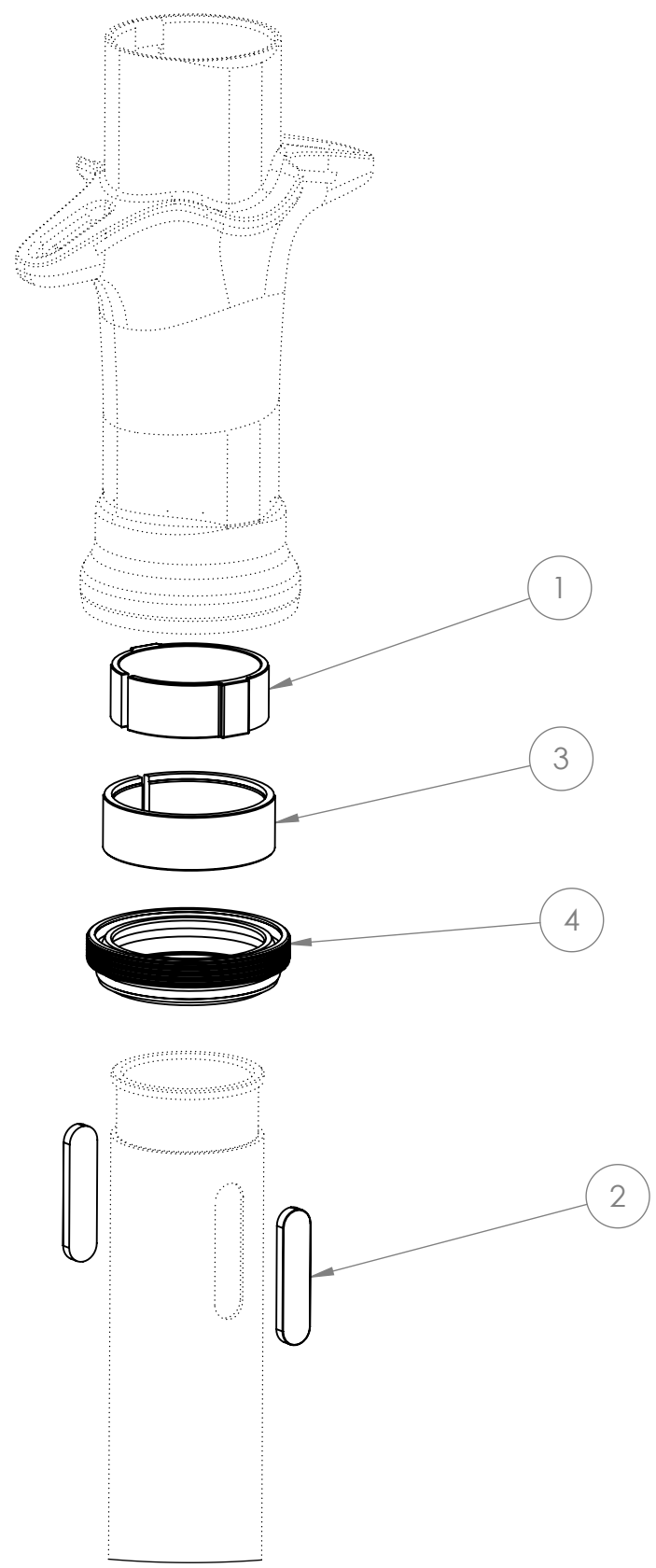
ITEM NO.	PART NUMBER	DESCRIPTION	QTY.
1	300-1013-002	Lower Tube for ST Dropper 350mm length	1
2	300-1013-001	Upper Tube	1
3	300-1013-005	Upper Saddle Clamp	1
4	300-1013-004	Lower Saddle Clamp Plate	1
5	300-1013-006	Saddle Clamp Screw M5x31mm	2
6	300-1013-008	Oval nut for dropper saddle clamp M5 Thread	2
7	300-1013-009	Upper Bushing for ENVE ST Dropper	1
8	300-1013-011	Lower Bushing For ENVE ST Dropper	1
9	300-1013-010	Anti Rotation Key for ENVE ST Dropper	2
10	300-1013-019	Saddle Clamp Nut Octagonal Retaining Ring	2
11	300-1013-007	Mounting Pin for ENVE ST Dropper	2
12	300-1013-012	Trelleborg Seal I-WXWT000127	1
13	300-1013-015	Upper Tube Top Cap	1
14	300-1013-203	Short-Travel Dropper Linkage Actuator Assembly	1
15	300-1013-013	Dropper Post Short Cartridge	1

<b>PROPRIETARY AND CONFIDENTIAL</b>		NAME	DATE	 <b>DESCRIPTION:</b> <b>Dropper Post Service Diagram</b>
THE INFORMATION CONTAINED IN THIS DRAWING IS THE SOLE PROPERTY OF ENVE COMPOSITES INC. ANY REPRODUCTION IN PART OR AS A WHOLE WITHOUT THE WRITTEN PERMISSION OF ENVE COMPOSITES INC. IS PROHIBITED.		DRAWN	S. NeperudN. Schreyer	
		CHECKED		
		ENG APPR.		
		MFG APPR.		
INTERPRET GEOMETRIC TOLERANCING PER: ASME Y14.5-2009 MATERIAL FINISH DO NOT SCALE DRAWING		UNLESS OTHERWISE SPECIFIED: DIMENSIONS ARE IN MILLIMETRES TOLERANCES: ANGULAR: ±1° UNSPECIFIED XX ±0.5 ONE PLACE DECIMAL XX.X ±0.2 TWO PLACE DECIMAL XX.XX ±0.10		SIZE <b>B</b> DWG. NO. 300-1013-101_Service SCALE: 1:3
		REV P9	WEIGHT:	SHEET 1 OF 5


8 7 6 5 4 3 2 1

D  
C  
B  
A

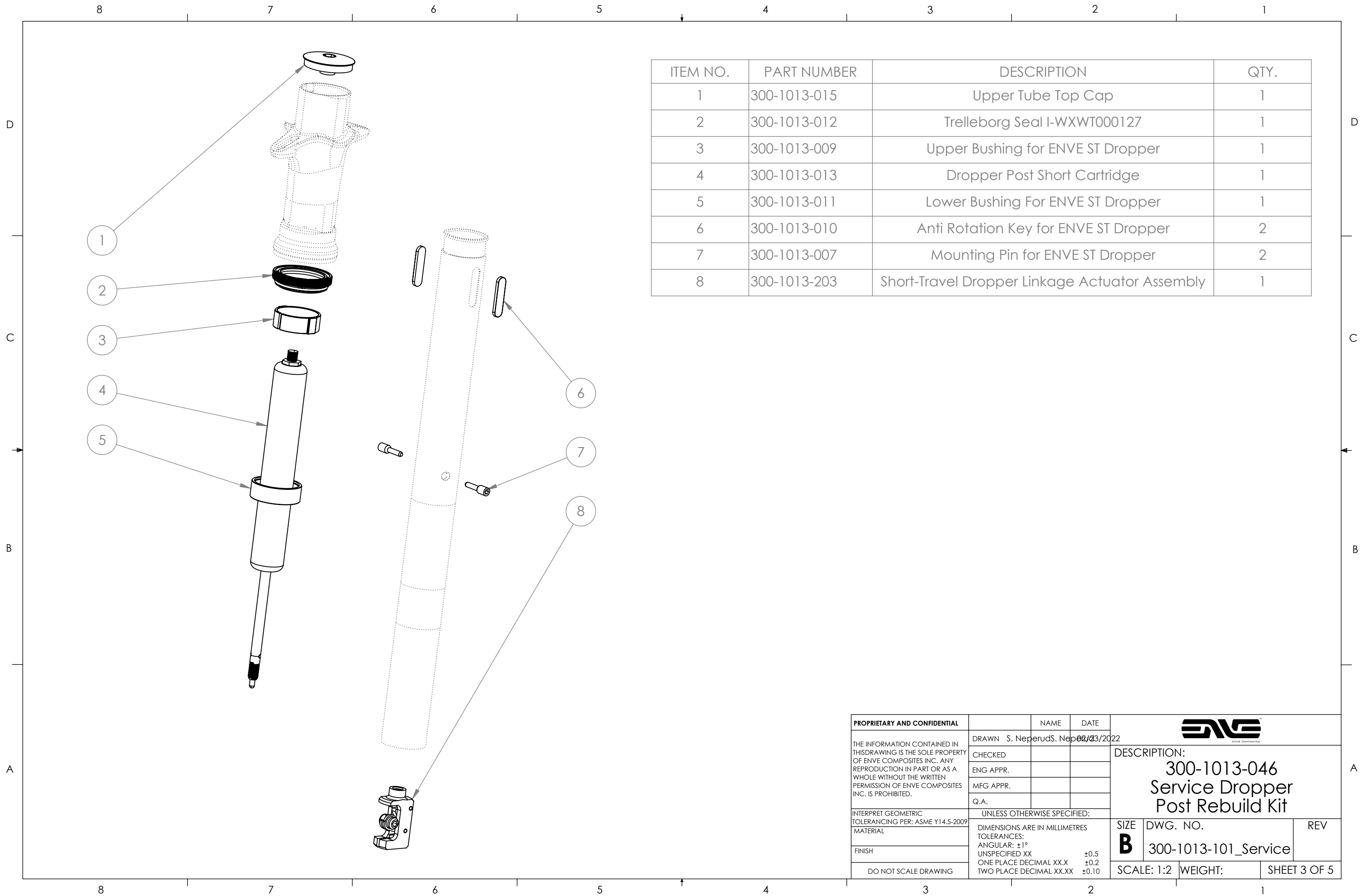
D  
C  
B  
A




ITEM NO.	PART NUMBER	DESCRIPTION	QTY.
1	300-1013-009	Upper Bushing for ENVE ST Dropper	1
2	300-1013-010	Anti Rotation Key for ENVE ST Dropper	2
3	300-1013-011	Lower Bushing For ENVE ST Dropper	1
4	300-1013-012	Trelleborg Seal I-WXWT000127	1

<b>PROPRIETARY AND CONFIDENTIAL</b>  THE INFORMATION CONTAINED IN THIS DRAWING IS THE SOLE PROPERTY OF ENVE COMPOSITES INC. ANY REPRODUCTION IN PART OR AS A WHOLE WITHOUT THE WRITTEN PERMISSION OF ENVE COMPOSITES INC. IS PROHIBITED.	DRAWN S. Neperud S. Neperud 02/03/2022	NAME DATE	  <b>DESCRIPTION:</b> 300-1013-045 Service Dropper Post Seal and Bushing Kit		
	CHECKED				
	ENG APPR.				
	MFG APPR.				
	Q.A.				
INTERPRET GEOMETRIC TOLERANCING PER: ASME Y14.5-2009 MATERIAL FINISH	UNLESS OTHERWISE SPECIFIED:  DIMENSIONS ARE IN MILLIMETRES TOLERANCES: ANGULAR: ±1° UNSPECIFIED XX ±0.5 ONE PLACE DECIMAL XX.X ±0.2 TWO PLACE DECIMAL XX.XX ±0.10		SIZE <b>B</b>	DWG. NO. 300-1013-101_Service	REV
DO NOT SCALE DRAWING	SCALE: 4:5	WEIGHT:	SHEET 2 OF 5		

8 7 6 5 4 3 2 1

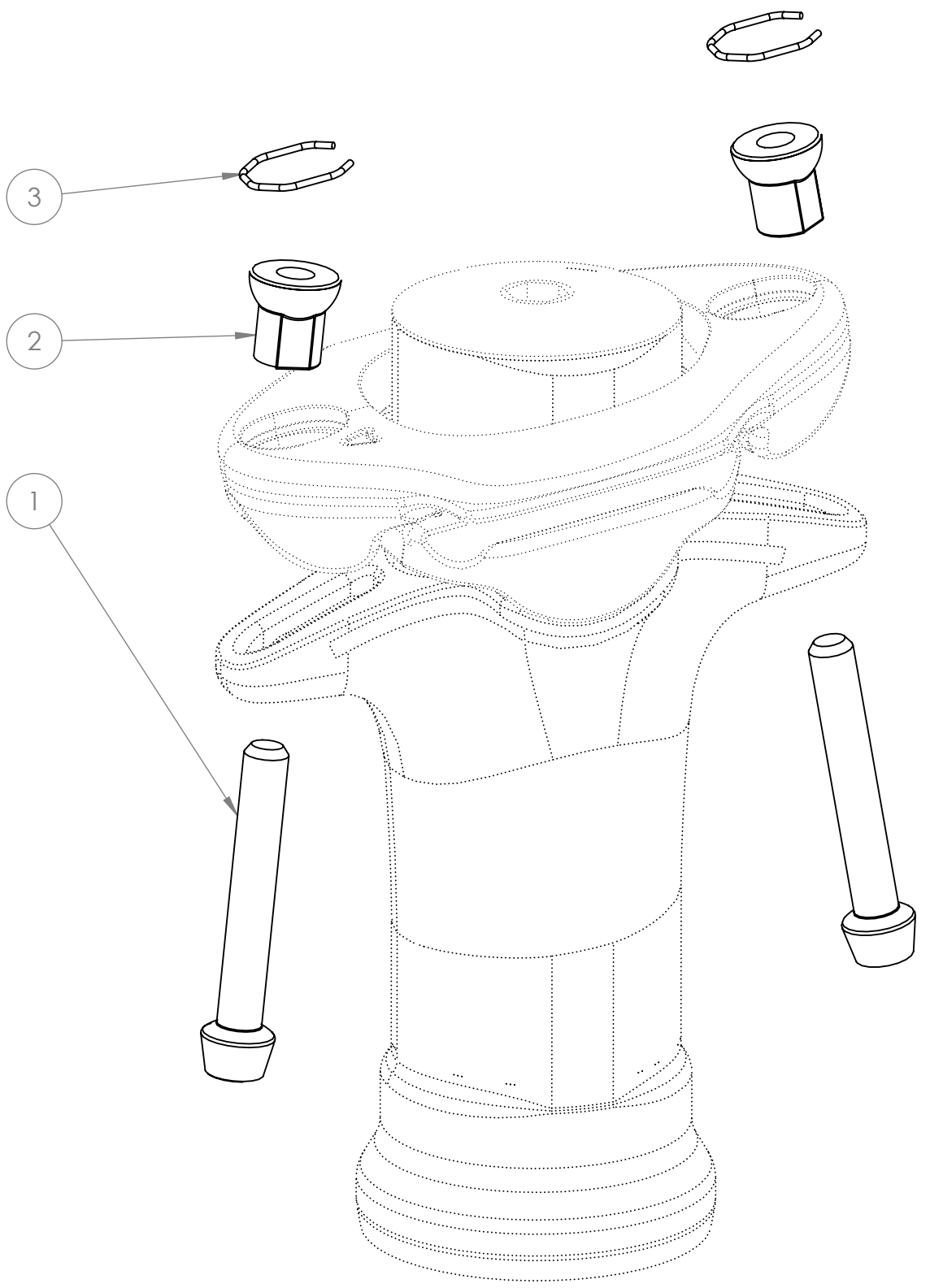


ITEM NO.	PART NUMBER	DESCRIPTION	QTY.
1	300-1013-015	Upper Tube Top Cap	1
2	300-1013-012	Trelleborg Seal I-WXWT000127	1
3	300-1013-009	Upper Bushing for ENVE ST Dropper	1
4	300-1013-013	Dropper Post Short Cartridge	1
5	300-1013-011	Lower Bushing For ENVE ST Dropper	1
6	300-1013-010	Anti Rotation Key for ENVE ST Dropper	2
7	300-1013-007	Mounting Pin for ENVE ST Dropper	2
8	300-1013-203	Short-Travel Dropper Linkage Actuator Assembly	1

<b>PROPRIETARY AND CONFIDENTIAL</b>  THE INFORMATION CONTAINED IN THIS DRAWING IS THE SOLE PROPERTY OF ENVE COMPOSITES INC. ANY REPRODUCTION IN PART OR AS A WHOLE WITHOUT THE WRITTEN PERMISSION OF ENVE COMPOSITES INC. IS PROHIBITED.	DRAWN S. Neperud S. Neperud 02/03/2022	NAME DATE	  <b>DESCRIPTION:</b> 300-1013-046 Service Dropper Post Rebuild Kit		
	CHECKED				
	ENG APPR.				
	MFG APPR.				
	Q.A.				
INTERPRET GEOMETRIC TOLERANCING PER: ASME Y14.5-2009 MATERIAL FINISH DO NOT SCALE DRAWING	UNLESS OTHERWISE SPECIFIED:  DIMENSIONS ARE IN MILLIMETRES TOLERANCES: ANGULAR: ±1° UNSPECIFIED XX ±0.5 ONE PLACE DECIMAL XX.X ±0.2 TWO PLACE DECIMAL XX.XX ±0.10		SIZE <b>B</b>	DWG. NO. 300-1013-101_Service	REV
SCALE: 1:2		WEIGHT:	SHEET 3 OF 5		


8 7 6 5 4 3 2 1

D  
C  
B  
A



ITEM NO.	PART NUMBER	DESCRIPTION	QTY.
1	300-1013-006	Saddle Clamp Screw M5x31mm	2
2	300-1013-008	Oval nut for dropper saddle clamp M5 Thread	2
3	300-1013-019	Saddle Clamp Nut Octagonal Retaining Ring	2

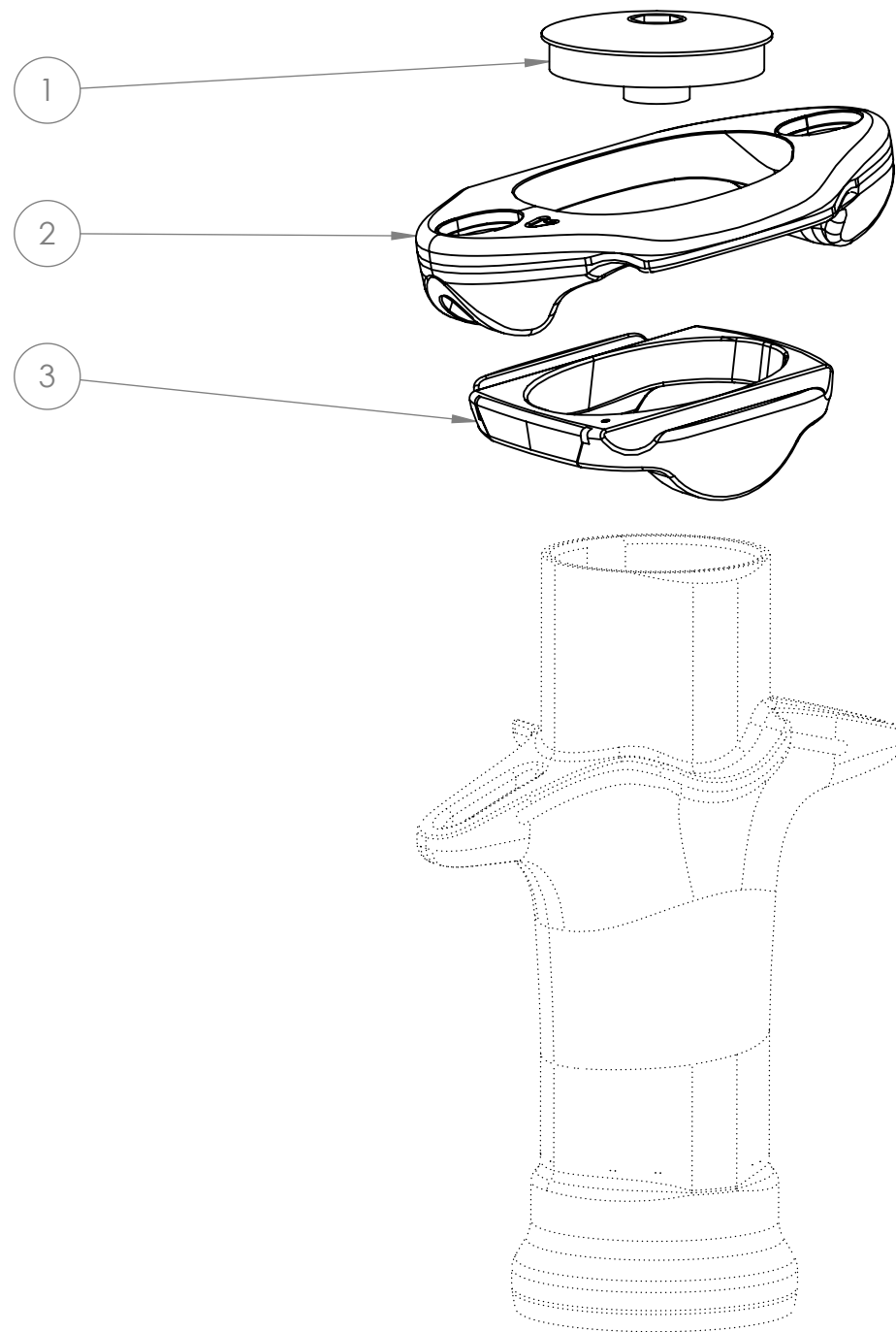
8 7 6 5 4 3 2 1

<b>PROPRIETARY AND CONFIDENTIAL</b>		NAME	DATE		
THE INFORMATION CONTAINED IN THIS DRAWING IS THE SOLE PROPERTY OF ENVE COMPOSITES INC. ANY REPRODUCTION IN PART OR AS A WHOLE WITHOUT THE WRITTEN PERMISSION OF ENVE COMPOSITES INC. IS PROHIBITED.		DRAWN	S. Neperud N. Scherz		08/23/2022
		CHECKED			
		ENG APPR.			
		MFG APPR.			
		Q.A.			
INTERPRET GEOMETRIC TOLERANCING PER: ASME Y14.5-2009		UNLESS OTHERWISE SPECIFIED:			
MATERIAL		DIMENSIONS ARE IN MILLIMETRES TOLERANCES: ANGULAR: ±1° UNSPECIFIED XX ±0.5 ONE PLACE DECIMAL XX.X ±0.2 TWO PLACE DECIMAL XX.XX ±0.10			
FINISH		SIZE	DWG. NO.	REV	
DO NOT SCALE DRAWING		<b>B</b>	300-1013-101_Service	P9	
		SCALE: 3:2	WEIGHT:	SHEET 4 OF 5	

D  
C  
B  
A


8 7 6 5 4 3 2 1

ITEM NO.	PART NUMBER	DESCRIPTION	QTY.
1	300-1013-015	Upper Tube Top Cap	1
2	300-1013-005	Upper Saddle Clamp	1
3	300-1013-004	Lower Saddle Clamp Plate	1



D  
C  
B  
A

D  
C  
B  
A

<b>PROPRIETARY AND CONFIDENTIAL</b>  THE INFORMATION CONTAINED IN THIS DRAWING IS THE SOLE PROPERTY OF ENVE COMPOSITES INC. ANY REPRODUCTION IN PART OR AS A WHOLE WITHOUT THE WRITTEN PERMISSION OF ENVE COMPOSITES INC. IS PROHIBITED.	DRAWN S. Neperud S. Neperud 02/03/2022	NAME DATE	  <b>DESCRIPTION:</b> 300-1013-048 Service Dropper Post Head Assembly Kit		
	CHECKED				
	ENG APPR.				
	MFG APPR.				
	Q.A.				
INTERPRET GEOMETRIC TOLERANCING PER: ASME Y14.5-2009 MATERIAL FINISH DO NOT SCALE DRAWING	UNLESS OTHERWISE SPECIFIED:  DIMENSIONS ARE IN MILLIMETRES TOLERANCES: ANGULAR: ±1° UNSPECIFIED XX ±0.5 ONE PLACE DECIMAL XX.X ±0.2 TWO PLACE DECIMAL XX.XX ±0.10		SIZE <b>B</b>	DWG. NO. 300-1013-101_Service	REV
SCALE: 1:1		WEIGHT:	SHEET 5 OF 5		

8 7 6 5 4 3 2 1