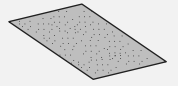
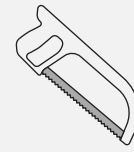
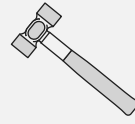
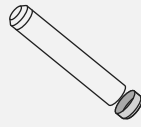


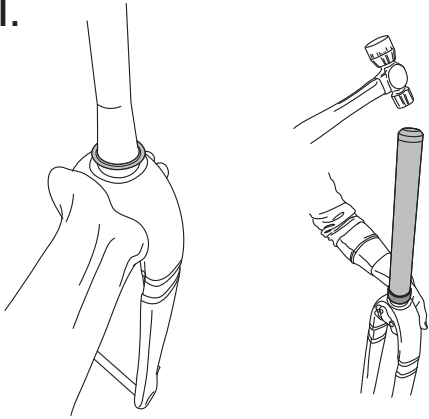
# MTN Fork Boost Installation Instructions

**Tools Needed:**  
4, 5, 6mm Adjustable  
Torque Wrench,

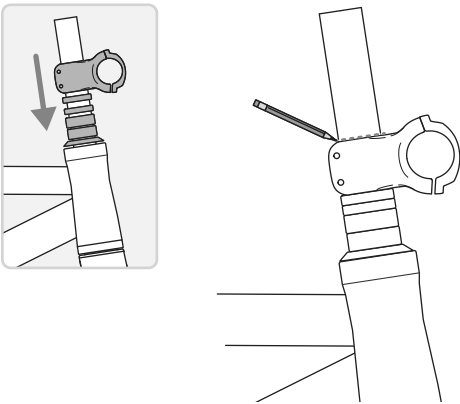


100 grit

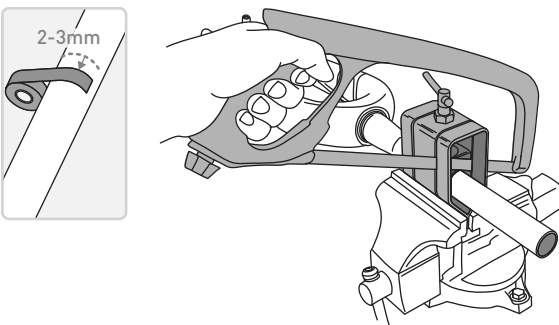
1.



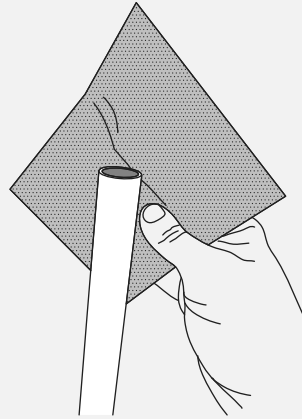
2.



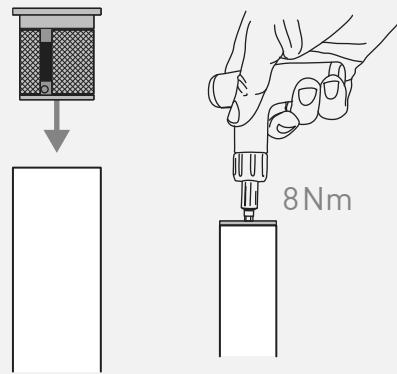
3.



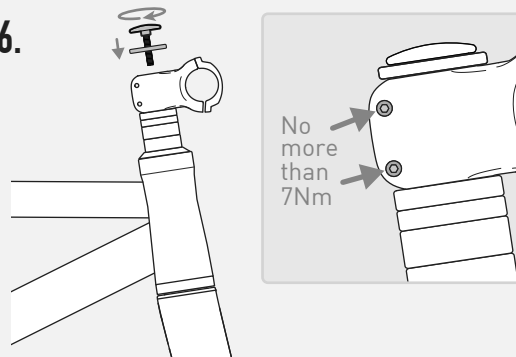
4.



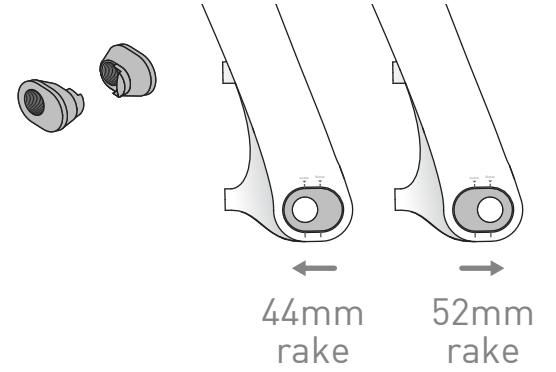
5.



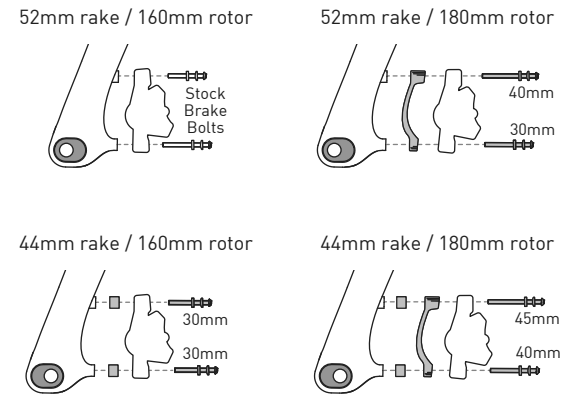
6.



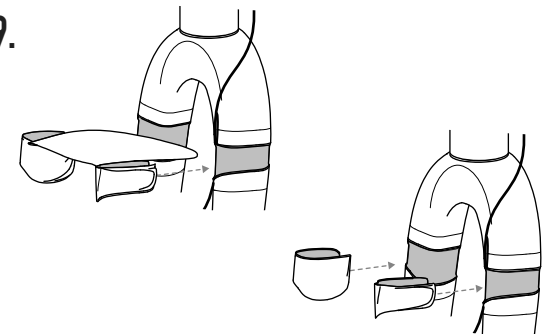
7.



8.



9.





**ENVE MTN Fork Boost  
Installation Instructions**

ENVE Composites, LLC  
Ogden, UT 84401, USA