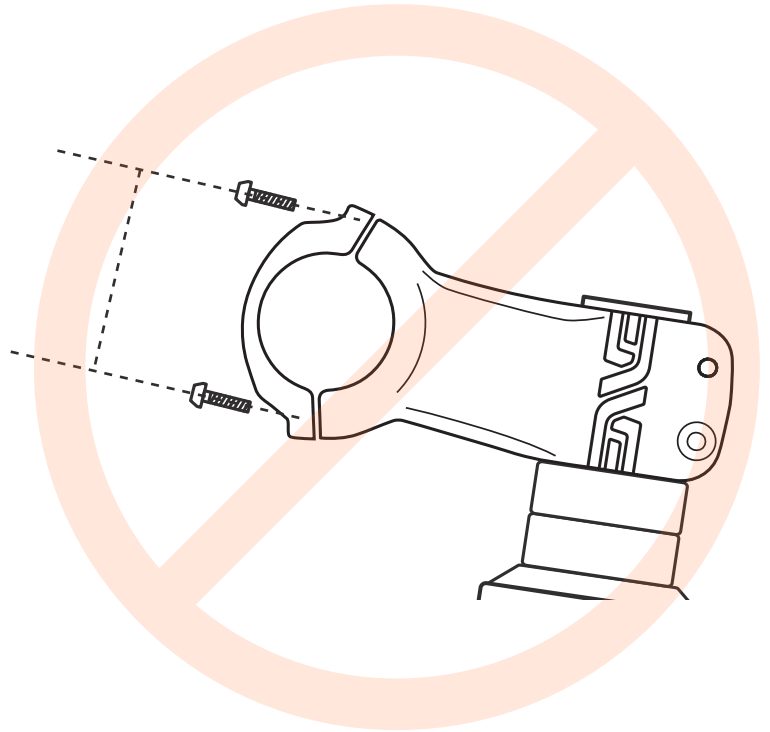




ENVE® Composites LLC
Ogden, UT 84404, USA

ENVE® MOUNTAIN STEM

DO NOT: Install the face plate bolts perpendicular to the stem or parallel to each other.



PROPER INSTALL: Install the face plate bolts at an angle from each other and from the stem.

