



ENVE® Composites, LLC
Ogden, UT 84404, USA

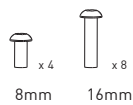
ENVE® Aero Road Bar Clip-On Installation

Tools Required:

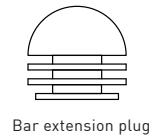
- 4mm allen tool
- Cable/Housing cutters
- Tile saw or hack saw
- Cutting guide

Included Hardware:

Bolts:

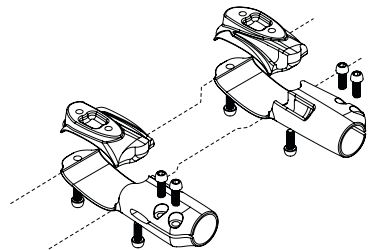


Other:



Step 1 :

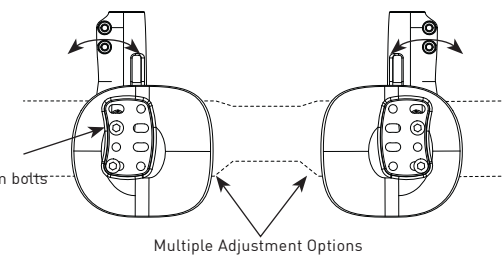
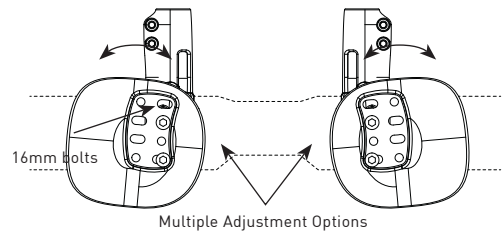
Mount extension clasps to desired width.



Step 2 :

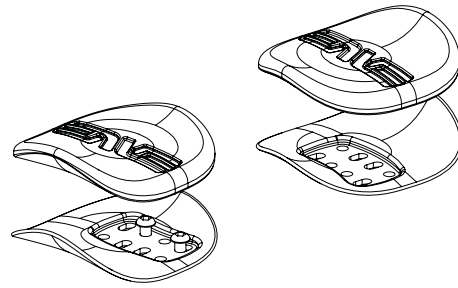
Determine desired position and direction of arm pad carriers. Use 16mm bolts and torque 5Nm.

Note: Inserting extensions may help achieve desired armpad position.



Step 3 :

After installing arm pad carriers, place arm rest padding onto velcro and press down firmly.

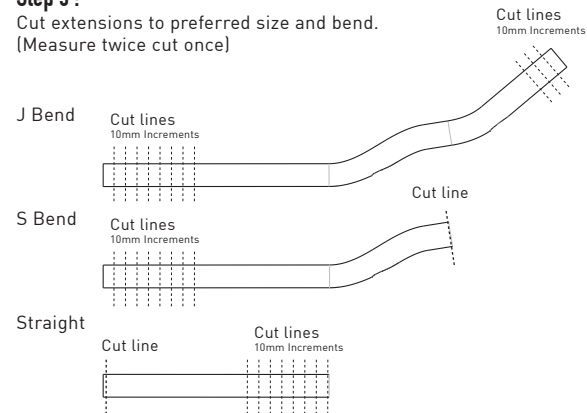


Step 4 :

Determine desired extension length by placing forearms onto arm rests with extensions inserted into extension clasps.

Step 5 :

Cut extensions to preferred size and bend. (Measure twice cut once)



Note: If using the straight extension option, rotate extension 180 degrees so the multiple cut increments face outward.

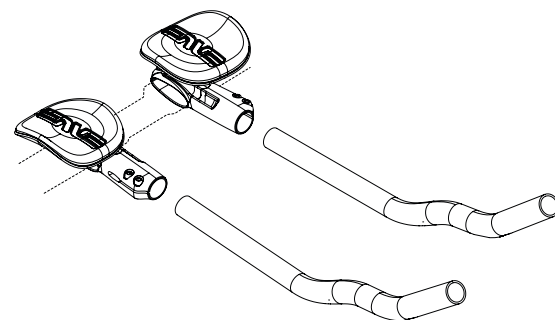
Step 6 :

After cut is complete, inspect for and remove any loose fibers by lightly sanding the recently cut area.

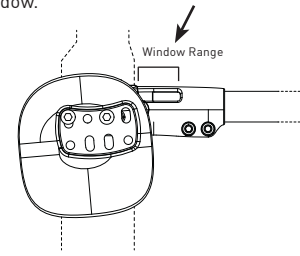
Note: Use Scotchbrite or fine grit sandpaper. (160 Grit +)

Step 7 :

Insert extensions to extension clasps.

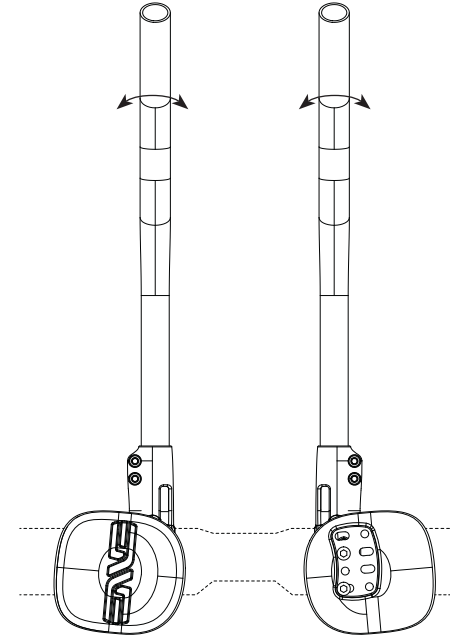


Note: End of extension must be visible inside the minimum insertion window.



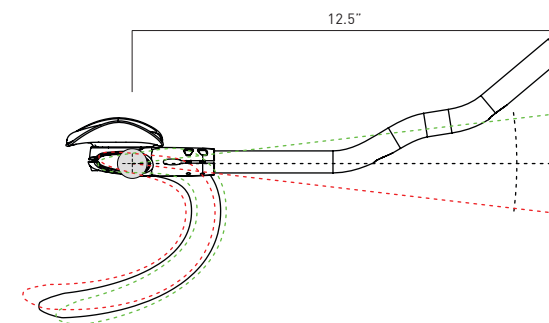
Step 8 :

Rotate extensions to desired position. Fasten 8mm bolts. (Torque 5Nm)

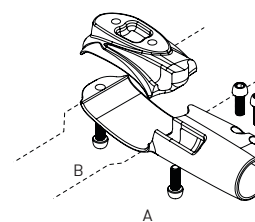


Step 9 :

Rotate entire Aero Bar and clip-ons to desired angle in the handlebar stem clamp.



Note: Begin tightening bolt A before bolt B and alternate by 1Nm steps on each until both are equally fastened to 5Nm.



Step 10 :

Install housing and cable if applicable.

■ Housing / Cable

